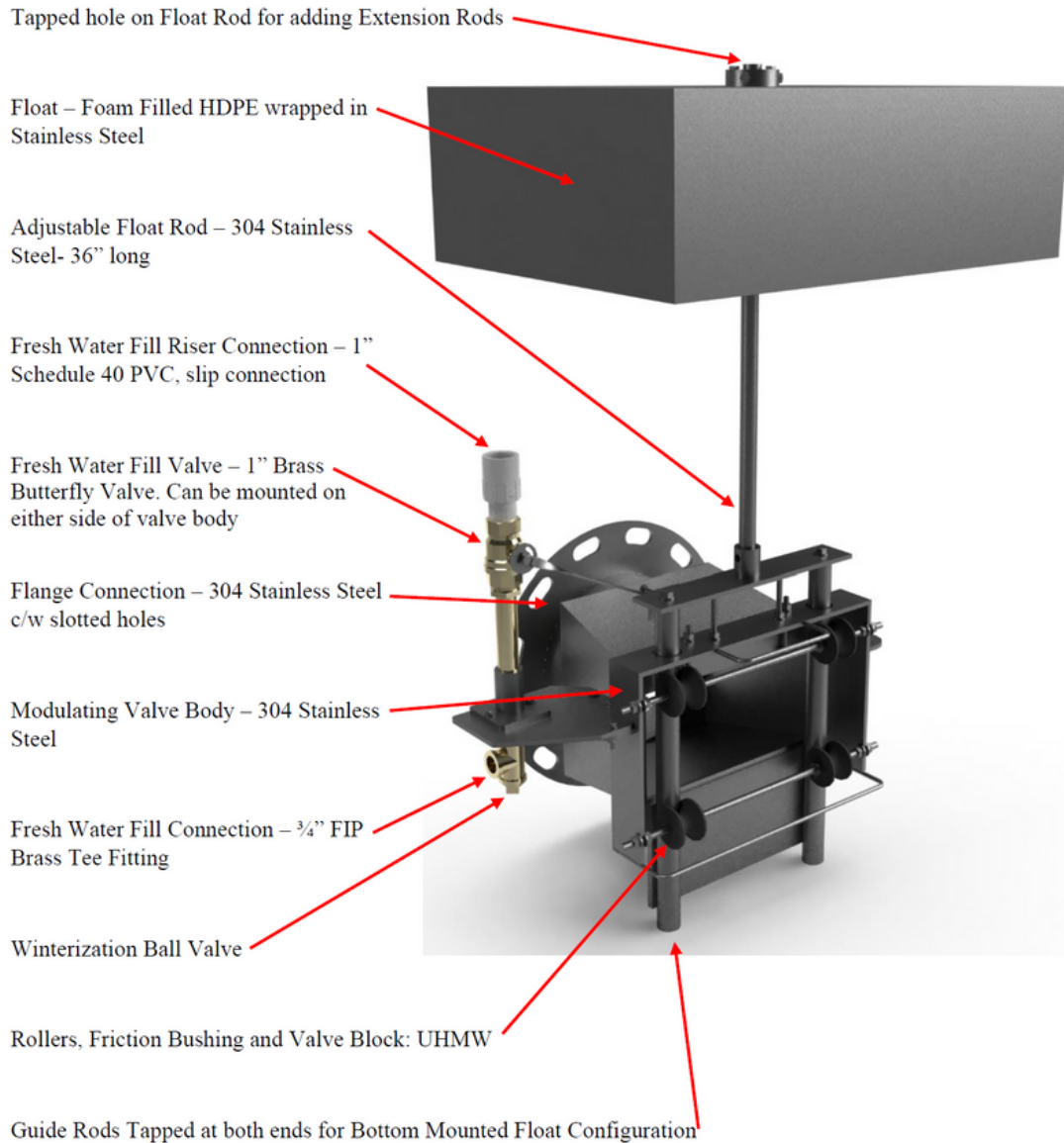


# SENTRY POOL VALVE

## Line Up Sizing Chart



Part #	Flange Size (inches)	Height (inches)	Float Travel (inches)	Width (inches)	Depth (inches)	Weight (pounds)
SPV-4A-SS	4"	25.7"	6"	24.4"	14.63"	88lbs
SPV-6A-SS	6"	25.7"	6"	24.4"	14.63"	90lbs
SPV-8A-SS	8"	25.7"	6"	24.4"	14.63"	92lbs
SPV-10A-SS	10"	25.7"	8"	24.4"	14.63"	93lbs
SPV-12A-SS	12"	25.7"	8"	24.4"	14.63"	101lbs
SPV-14A-SS	14"	25.9"	10"	24.9"	14.63"	107lbs
SPV-16A-SS	16"	27.2"	10"	26.2"	14.63"	114lbs

### Additional Notes:

- Each valve includes a 1" water make-up valve assembly
- A second 1" water make-up valve can be added upon request
- Contact our team for all cut sheets and design files
- All models require a clearance of 8" on both sides and 6" from the bottom